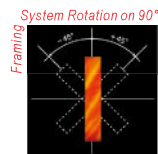


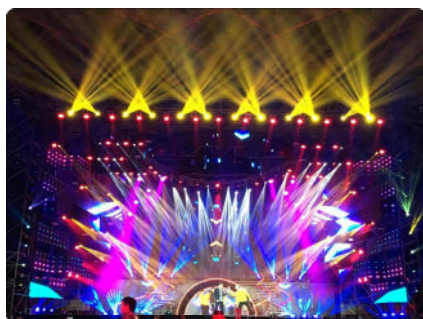
EAGLE-470P

4-in-1 HYBRID FIXTURE
BEAM, SPOT, WASH
& PROFILE SPOT
 with Framing Blades...

with
CMY
 Colour Filters...



Possible Framing Shapes...



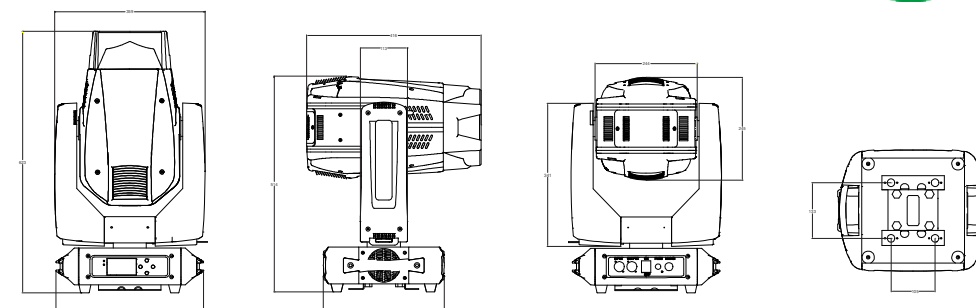
DMX 512 Channels

16STD	1	2	3	4	5	6	7	8	9	10	11	12	13	14	15	16	17	18	19	20	21	22
16EXT	1	2	3	4	5	6	7	8	9	10	11	12	13	14	15	16	17	18	19	20	21	22
DMX数值	光闸频闪	调光	颜色轮1	颜色轮2	颜色轮3	三基色C	三基色M	三基色Y	图案图案	图案定位	图案旋转	24面棱镜	24面棱镜	6面棱镜	6面棱镜	雾化镜	叶片上1	叶片上2	叶片下1	叶片下2	叶片右1	叶片右2
Value	Shutter Strobe	Dimmer	Color Wheel1	Color Wheel2	Color Wheel3	Cyan	Magenta	Yellow	Gobo Wheel	Gobo Index Rotation	Gobo Shake	24-facet Prism	24-facet Prism	6-facet Line Prism	6-facet Line Prism	Frost	Blade Up 1	Blade Up 2	Blade Down 1	Blade Down 2	Blade Right 1	Blade Right 2
0	●	▬	○	○	○	▬	▬	▬	●	●	●	○	○	○	○	○	▭	▭	▭	▭	▭	▭
255	⚡	⚡	●	●	●	▬	▬	▬	●	●	●	○	○	○	○	○	▭	▭	▭	▭	▭	▭

EAGLE-470P

Technical Specification

- Voltages: AC100-240V, 50/60Hz
- Light Source: OSRAM SIRIUS HRI 440W lamp, CT:7800K
- Power Consumption: 600W
- ZOOM: 0°-45°
- WASH: 7.5°-50°
- BEAM: 2.5°-35°
- SPOT: 4.0°-45°
- Focus: Linear electric focus
- Color Mixing System: CMY + CTB + 2 levels CTO
- 1 Color Wheel: 12 fixed colors + Soft + open, bi-directionally rotating at variable speed
- 1 Rotating Gobo Wheel: 6 interchangeable gobos + 4 pcs different sizes gobos + open, flowing & shake
- 1 Gobo Wheel: 4 pcs framing blades can combine kinds of shapes
- 1 Frost: Frost function, with big range, brightness uniformity
- Prism: 24-facet prism + 6-facet line prism, bi-directionally rotating at variable speed
- Dimmer: 0-100% linearly adjustable
- Strobe: 1-13 F.P.S., mechanically strobe with two blades, speed adjustable
- Pan and Tilt: Smoothly, automatic Pan/Tilt position correction, speed adjustable
- Range: Pan 540°, Tilt 280° (16-bit)
- Effect: Color + Gobo + Prism + Strobe auto running
- Cooling: Forced air cooling
- Control: DMX 512, 3 pin interface
- Channels: 37/31
- Display: LCD touch screen
- Protect Grade: IP20, overheating and overvoltage protection
- Net Weight: 23Kg
- Gross Weight: Carton: 26Kg
- Fixture Dimension: L352×W289×H623(mm)
- Packing Dimension: L475×W410×H735(mm)



23	24	25	26	27	28	29	30	31	32	33	34	35	36	37
叶片左1	叶片左2	切割镜	电子调焦	调焦微调	缩放	缩放微调	水平扫描	水平微调	垂直扫描	垂直微调	水平垂直速度调节	灯池控制	系统复位	
Blade Left 1	Blade Left 2	Blade Wheel Rotation	Focus	Focus Fine	ZOOM	ZOOM Fine	Pan	Pan Fine	Tilt	Tilt Fine	Pan/Tilt Speed	Effect	Lamp Control	Reset
▭	▭	▭	▭	▭	▭	▭	▭	▭	▭	▭	▭	▭	▭	▭
▭	▭	▭	▭	▭	▭	▭	▭	▭	▭	▭	▭	▭	▭	▭

Available at:
Dhawan STAGECRAFTS PVT. LTD.
 Khasra No. 625, Zero Road,
 Ghitorni, New Delhi-110030
 Ph: 011-64646373 & 9212556710
 Email: stagecrafts@gmail.com
 Web: www.dhawans.com